

Masport[®] Heating

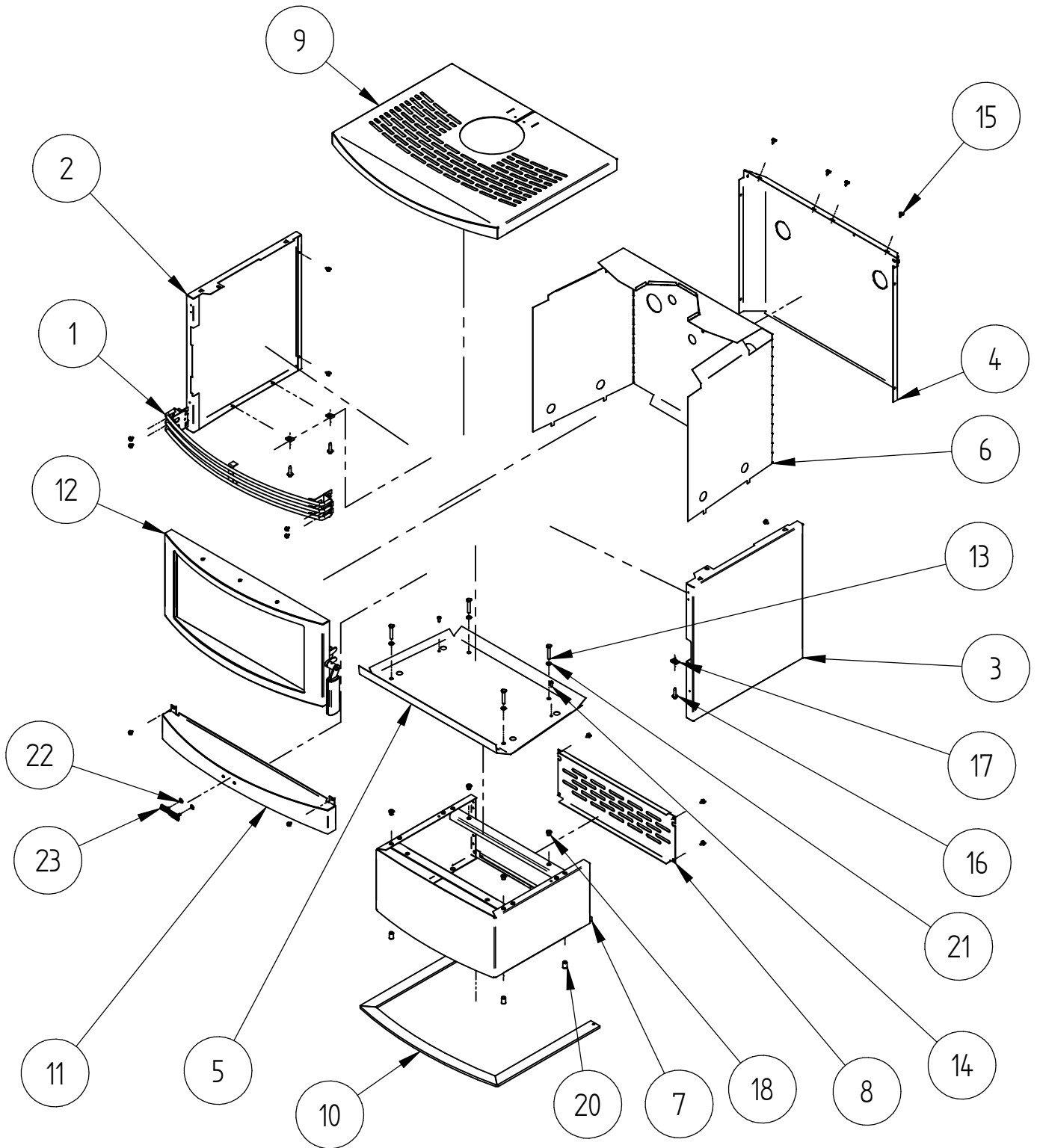
FREESTANDING WOOD FIRES

F2200C - NEW ZEALAND

Item No.	MARKET	FUEL TYPE	FINISH	YEAR	FAN
987975	NZ	SOFTWOOD	Matt Black Enamel	Jan-2010	Rural Only



PANELS, DOOR AND PEDESTAL

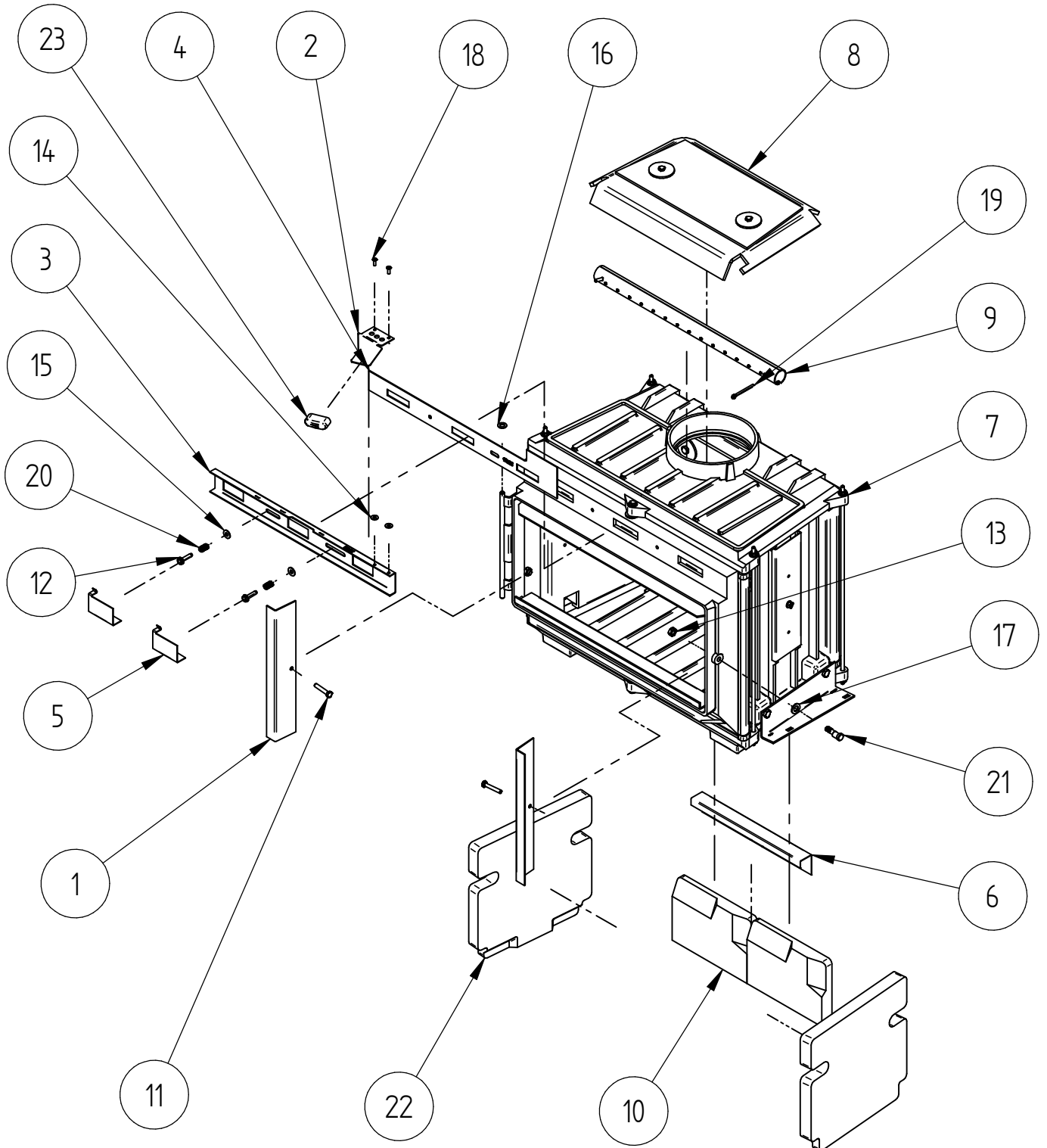


When ordering PLEASE QUOTE PART ID along with Finish Suffix (if applicable)

PANELS, DOOR AND PEDESTAL				
Item	Part ID	Model(s)	Descriptions	Qty
		987975		
1	987895	-	GRILL-ASSY,BAR SIENA SLV/BLK	1
2	994202	E01	PANEL - SIDE, LH F2000	1
3	994203	E01	PANEL - SIDE, RH F2000	1
4	994211	P01	PANEL-REAR F2000 BLU/BLK P/C	1
5	994213	-	F2000 HEATSHIELD - BOTTOM	1
6	994214	-	HEAT SHIELD, SIDE & REAR ASSY	1
7	994250	P02	PED ASSY- CURVED F2000	1
8	994706	P02	PANEL-PED-REAR F2000	1
9	994716	E01	TOP PANEL ASSY F2000	1
10	994719	P02	F2000 FOOT ASSEMBLY	1
11	994735	E01	PANEL-FRONT, F2200C, MAT	1
12	994736	-	SIENA DOOR ASSEMBLY	1
13	521060	-	SCREW; M6X35 HEX ZP	4
14	521605	-	SCREW; S/T 10GX1/2" PAN POZI ZP	2
15	521635	-	SCREW; S/T 10GX3/8" HEX FLANGE BLK	18
16	521637	-	SCREW; S/T 12GX25 TIMBERTITE	4
17	522402	-	NUT; SPIRE SNU0537	4
18	522605	-	NUT; RIVNUT STD/FLANGE M6	4
20	522606	-	NUT; RIVNUT STD/FLANGE M8 9858-5821	4
21	523031	-	WASHER; FLAT M6 ZP	4
22	526001	-	CLIP; STARLOCK 4 DIA SLP04	2
23	587835	-	BADGE MASPORT HEATING	1

When ordering PLEASE QUOTE PART ID along with Finish Suffix (if applicable)

AIRSLIDE, BAFFLE, BRICKS AND FIREBOX



When ordering PLEASE QUOTE PART ID along with Finish Suffix (if applicable)

AIRSLIDE, BAFFLE, BRICKS AND FIREBOX				
Item	Part ID	Model(s)	Description	Qty
		987975		
1	987549	V02	RETAINER - FIRE BOARD	2
2	987898	-	EXT'N SLIDE, AIR INLET SIENA	1
3	994251	-	SLIDE - AIR INLET 20 X 50 RECT	1
4	994252	-	PLATE,BACK-METER F2000 NZ	1
5	994529	-	COVER FASTN, SLIDE - AIR VER/S	2
6	994258	-	CHANNEL BRICK RETAINER F2000	1
7	994715	-	F/B ASSY F2200C NZ	1
8	994746	-	STEEL BAFFLE ASSY F2200C	1
9	994748	-	TUBE-SEC AIR ASSY - F2200C	1
10	994749	-	BRICK-REAR F2200C	2
11	521060	-	SCREW; M6X35 HEX ZP	2
12	521633	-	SCREW; S/T M6X25 HEX FLANGE TAPTITE	2
13	522118	-	NUT; HEX STD M8 ZP	1
14	523000	-	WASHER; FLAT 3/16"X1/2"X18G ZP	2
15	523007	-	WASHER; FLAT 1/4"X5/8"X0.049" ZP	2
16	523019	-	WASHER; FLAT 5/16"X5/8"X16G ZP	1
17	523021	-	WASHER; FLAT M10X19X1.6 ZP	1
18	524006	-	RIVET; 73 AS 5-5	2
19	525105	-	COTTER PIN 5.0X40 ZP	1
20	585223	-	SPRING-COMPRESSIONAIR INLET	2
21	587516	-	PIN-DOOR LATCH	1
22	587808	-	BRICK-F/B,SIDE, LE2000,09	2
23	593568	-	AIR SLIDE KNOB PUSH ON	1

***Optional Sale Kit**

Note: Mar 14 onwards old wooden knobs were replaced by plastic knobs.

Old wooden knob parts:

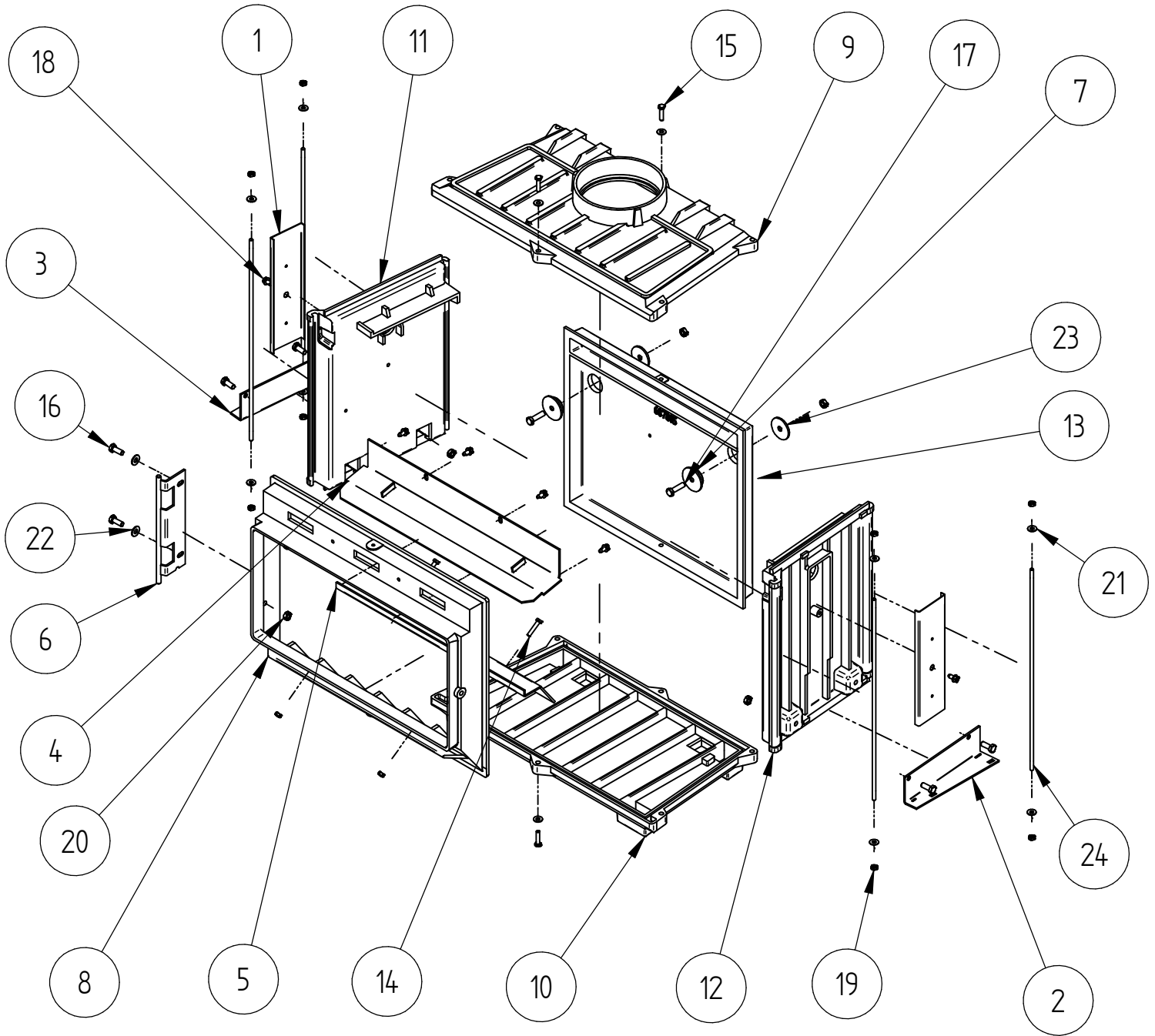
1 X 986162 Air control knob

1 X 521642 Screw

Contact Customer service/Engineering Dept. for details of wooden knob system (Issue A).

When ordering PLEASE QUOTE PART ID along with Finish Suffix (if applicable)

FIREBOX DETAILS

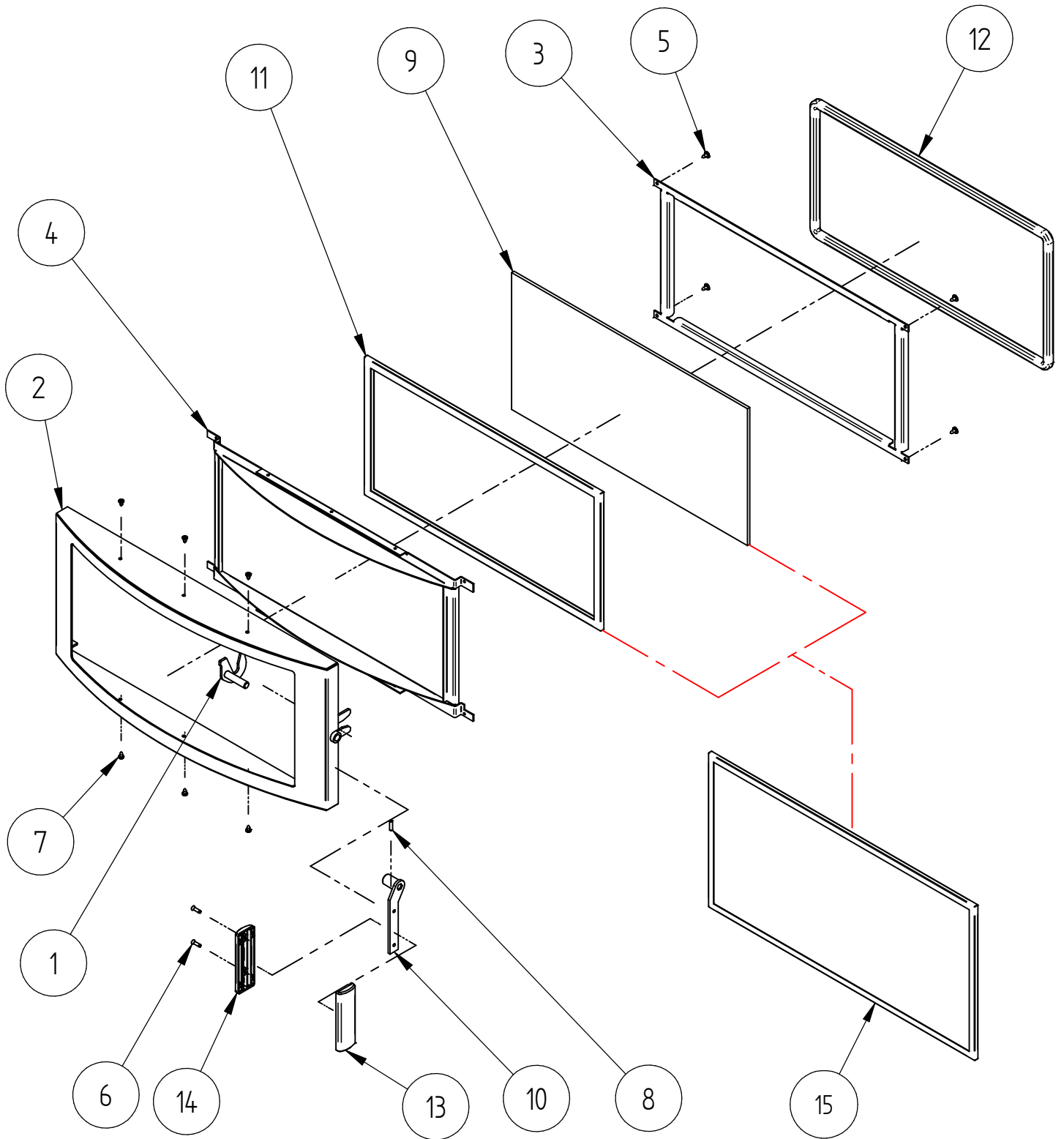


When ordering PLEASE QUOTE PART ID along with Finish Suffix (if applicable)

FIREBOX : 994715				
Item	Part ID	Model(s)	Description	Qty
		987975		
1	986146	-	COVER - SECONDARY AIR	2
2	994215	-	BRACKET - MOUNTING RH F2000	1
3	994216	-	BRACKET - MOUNTING LH	1
4	994743	-	DEFLECTOR ASSY- PRIMARY AIR F2000	1
5	994745	-	PLATE - BASE AIR F2200C	1
6	986515	-	HINGE ASSY	1
7	684089	-	PLUG, 3/4DIAPITTS/FATSO/WFIRE	2
8	686101	-	F/B FRONT LE2000	1
9	687502	-	F/B TOP LE 2000	1
10	687504	-	F/B BOTTOM, LE2000	1
11	687595	-	F/B SIDE LH LE2000	1
12	687596	-	F/B SIDE RH LE2000	1
13*	687805	-	F/B BACK F2000	1
14	521059	-	SCREW; M6X30 HEX ZP	2
15	521058	-	SCREW; M6X25 HEX ZP	4
16	521066	-	SCREW; M8X20 HEX ZP	6
17	521068	-	SCREW; M8X30 HEX ZP	2
18	521601	-	SCREW; S/T 1/4"X1/2" HEX FLANGE ZP	6
19	522117	-	NUT; HEX STD M6 ZP	10
20	522118	-	NUT; HEX STD M8 ZP	8
21	523007	-	WASHER; FLAT 1/4"X5/8"X0.049" ZP	12
22	523034	-	WASHER; FLAT M8X19X1.6 ZP	2
23	523035	-	WASHER; FLAT M8X22X3 HVY ZP	2
24	984598	-	ROD; TIE M6X 425	4

When ordering PLEASE QUOTE PART ID along with Finish Suffix (if applicable)

DOOR ASSEMBLY



When ordering PLEASE QUOTE PART ID along with Finish Suffix (if applicable)

DOOR ASSEMBLY: 994736				
Item	Part ID	Model(s)	Description	Qty
		987975		
1	994533	-	LATCH-DOOR ASSY 10MM BLK ZINC	1
2	994718	E01	DOOR ASSY,F2200C	1
3	994724	-	RETAINER-GLASS, F2200C	1
4	994737	V02	FRAME ASSY-GLASS,F2200C	1
5	521627	-	SCREW; S/T 8GX3/8" MUSH FLANGE POZI BLK	4
6	521650	-	SCREW; 6GX1/2" S/S TYPE 25 C/S POZI	2
7	521630	-	SCREW; S/T 8GX5/16" POZI PAN BLK	6
8	525001	-	PIN; TENSION 4X16 BLK	1
9	594723	-	GLASS W/F 5X482X242 N-ZERO	1
10	996616	-	PLATE - HANDLE ASSY	1
11	E30MMLT	-	LADDER TAPE 6X30X25m ROLL (MTR)	1
12	E15MMDR	-	DOOR ROPE	1
13	593598	-	I3000 DOOR HANDLE FRONT RH PLASTIC	1
14	593599	-	DOOR HANDLE REAR L/H PLASTIC	1
15*	794723	-	DOOR GLASS KIT	1

***Optional Sale Kit**

Note: Mar 14 onwards old wooden handles were replaced by 2-piece plastic handles.

Old wooden handle parts:

1 X 586161 Door Handle

2 X 521628 Screws

Contact Customer service/Engineering Dept. for other parts of wooden handle system (Issue A).

NOT ILLUSTRATED				
Item	Part ID	Model(s)	Description	Qty
		987975		
1	594764	-	INSTRUCTION - BRICK LAYOUT	1
2	593286	-	OWNER MANUAL WOODFIRES 2010	1
3	593287	-	INSTALL MANUAL WOODFIRES 2010	1
4	594739	-	F2200C INSTALLATION DATA SHEET	1

SURFACE FINISH CODES FOR PANELS						
VITREOUS ENAMEL		VHT PAINT(Very High Temp)			POWDER COAT	
E01	MATT BLACK	V02	P-000022	METALLIC BLACK	P02	MATT BLACK
E02	GLOSS BLACK	V03	P-000043	CHARCOAL	P03	CHARCOAL
E03	CHARCOAL	V04	P-000081	TITANIUM	P05	SATIN BLACK
		V05	P-000051	CHARCOAL (DAM MET BLK)	P09	METTALIC BLACK
		V06	P-000052	METALLIC BLACK ZINC		

LESS FREQUENTLY OR OLD SURFACE FINISH CODES FOR PANELS						
VITREOUS ENAMEL		VHT PAINT(Very High Temp)			POWDER COAT	
E04	JASMINE	V01		SATIN BLACK HIGH TEMP	P01	BLUE/BLACK
					P04	GLOSS CHARCOAL
					P07	FLAT BLACK

When ordering PLEASE QUOTE PART ID along with Finish Suffix (if applicable)